



RA DS-series

(Display Light & Stand)

User's Manual

RA DS1
RA DS2
RA DS3
RA DS4
RA DS5
RA DS6
RA DS7
RA DS8

Thank you for your purchase of RA DS-Series.

RA DS-Series is a product for brand advertising of the beverage, and includes circular Backlit unit (RA DL) and a stand.

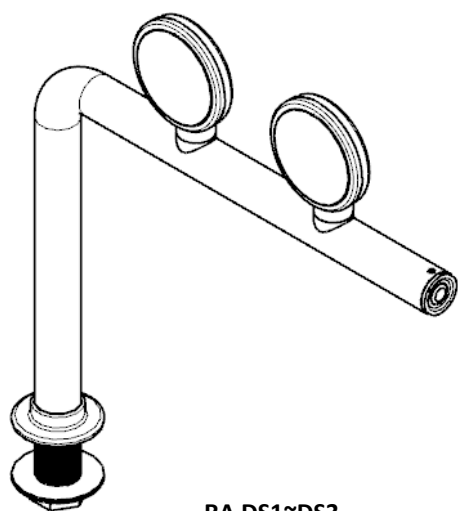
Please read this manual carefully and be well-acquainted with the use of RA DS.

This user's manual is for the users of RA DS, and includes description of each parts and maintenance.

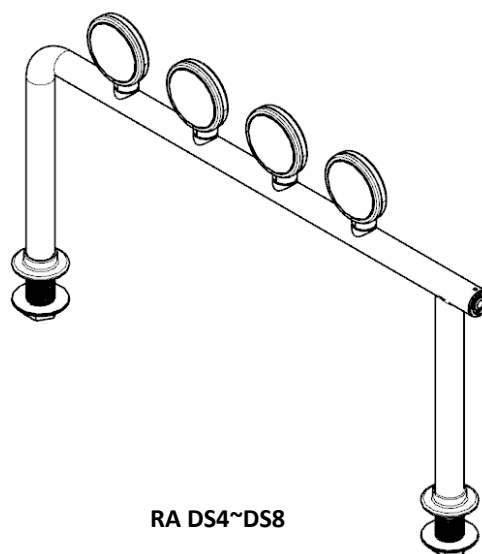
- Please be well-acquainted with the use of ReverseTap through this manual before using the product.
- Images in this manual can differ from the actual appearance of the product.
- Disassembling, repairing, or remodeling arbitrarily may cause malfunctioning of the product. Please contact the certified service center for repair.
- If you sense any burning smell or smoke from the product, please disconnect the power immediately and call our certified service center (CSC).
- Do not use damaged power plugs.
- Do not touch power plugs with wet hands. It is hazardous of electric-shock or fire.
- Do not use the product near flammable objects.
- Please turn OFF the product during indoor-use when it is lightning or the product is idle.
- Please put the RA DS parts beyond the reach of children or impaired people.
- Do not wash the product parts in dishwasher or with benzene, thinner, or sodium hypochlorite. It may cause damage to the product.
- This manual can be downloaded via ReverseTap website. www.reversetap.com.

	RD DS1	RD DS2	RD DS3	RD DS4
Product Size	515 x 306 x 70 mm	515 x 442 x 70 mm	515 x 578 x 70 mm	515 x 790 x 70 mm
Product Weight	1.5 kg	2.0 kg	2.5 kg	3.5 kg
Packaging Size	510 x 369 x 76 mm	510 x 505 x 76 mm	510 x 641 x 76 mm	510 x 777 x 76 mm
Packaging Weight	1.7 kg	2.2 kg	2.7 kg	3.8kg
Certification	CE			
Power consumption	7.2 W	14.4W	21.6W	28.8W
Material	AL, SUS, PC, etc			
Color Chart	Metallic Silver			

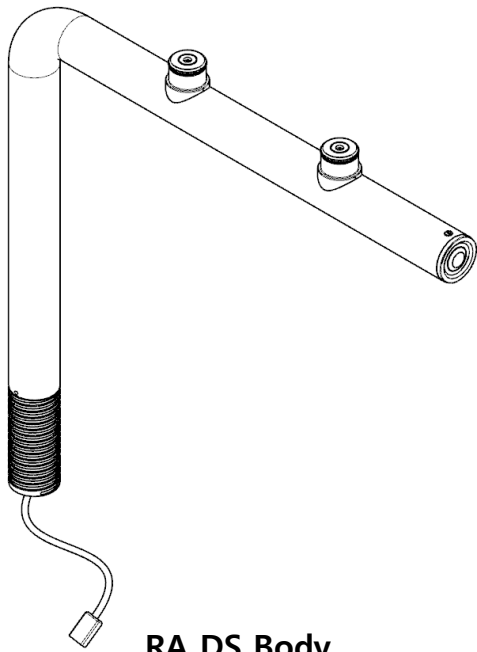
	RD DS5	RD DS6	RD DS7	RD DS8
Product Size	515 x 926x 70 mm	515 x 1062 x 70 mm	515 x 1198 x 70 mm	515 x 1334 x 70 mm
Product Weight	4.0 kg	4.5 kg	5.0 kg	5.5 kg
Packaging Size	510 x 913 x 76 mm	510 x 1049 x 76 mm	510 x 1185 x 76 mm	510 x 1321 x 76 mm
Packaging Weight	4.3 kg	4.8 kg	5.4 kg	5.9 kg
Certification	CE			
Power consumption	36W	43.2W	50.4W	57.6W
Material	AL, SUS, PC, etc			
Color Chart	Metallic Silver			



RA DS1~DS3

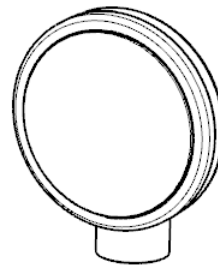


RA DS4~DS8

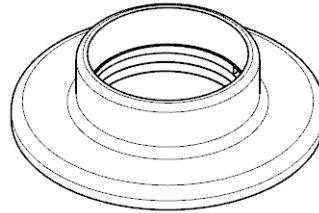


RA DS Body

- Power DC jack for RA DL (# of units)
- Power Switch 1ea

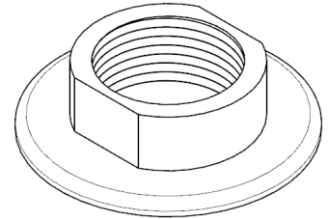


RA DL (# of units)



Flange

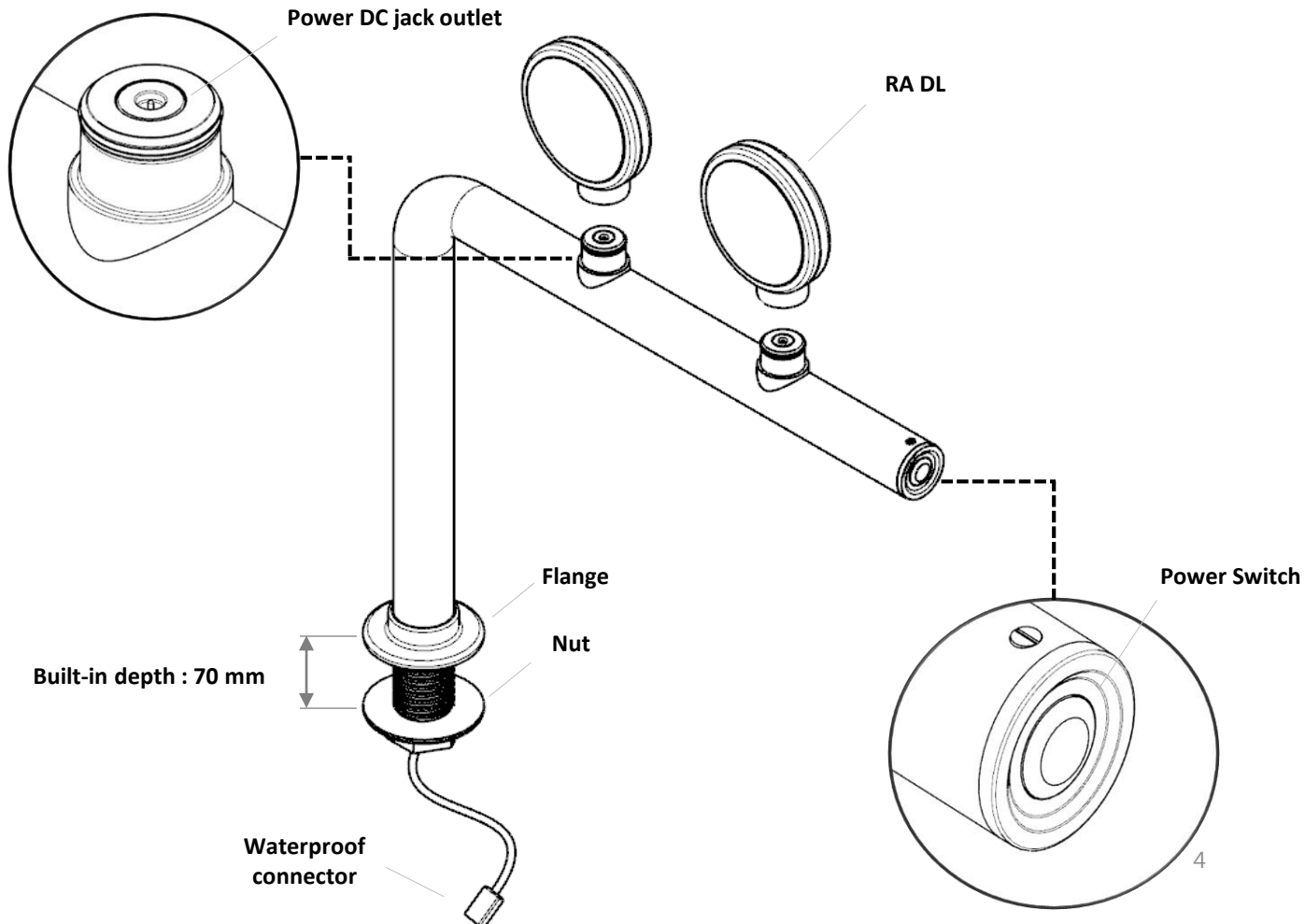
- DS 1,2,3 : 1 ea
- DS 4,5,6,7,8 : 2 ea



Nut

- DS 1,2,3 : 1 ea
- DS 4,5,6,7,8 : 2 ea

Names for RA DS-series Parts



* Prepare a hand-drill for installation.

1. Cut a proper sized hole in the desired location.

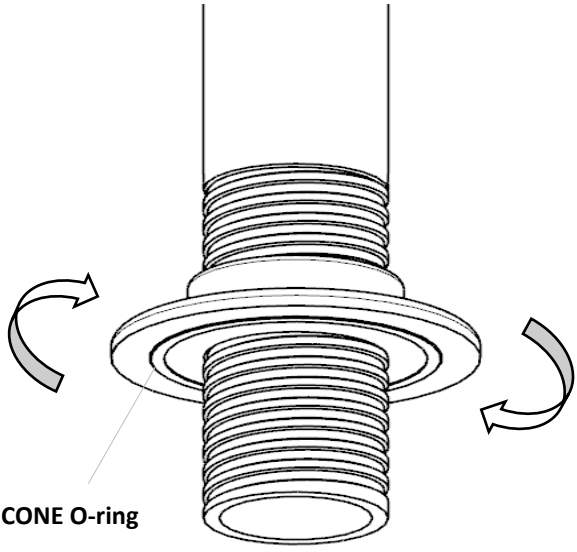
- Check for the hole size in ReverseTap website.
- It is recommended to install the product on a smooth, plane surface.
(For kegerators, insulation of the system must be considered.)
- Be careful not to get hurt by the particles when cutting hole.
(Safety goggles recommended)
- Clean out the particles from hole-cutting.

2. Unbox RA DS and check the box components.

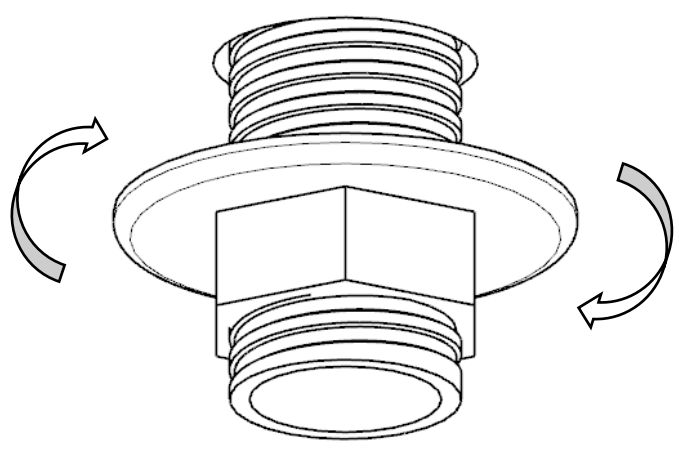
- Check the box components with the component list in page 4, and for any missing components, please contact your dealer or certified service center.

3. Screw Flange to RA DS BODY.

- Make sure a O-ring is in place under Flange.
(The O-ring is a ready-made product which can be purchased anywhere. O-ring name : S42)

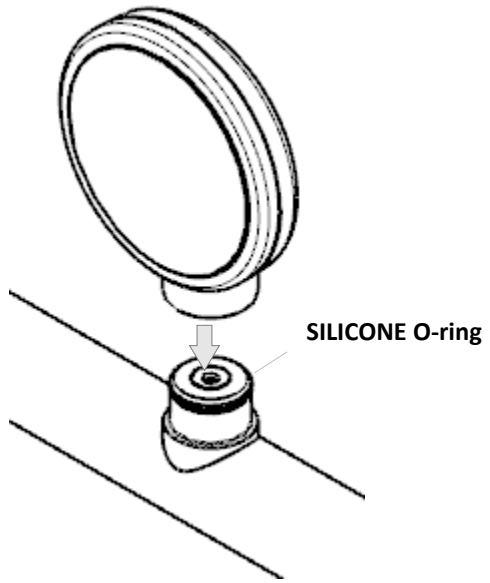


4. Put RA DS on the desired location and tightly fasten the Nut to fix RA DS.

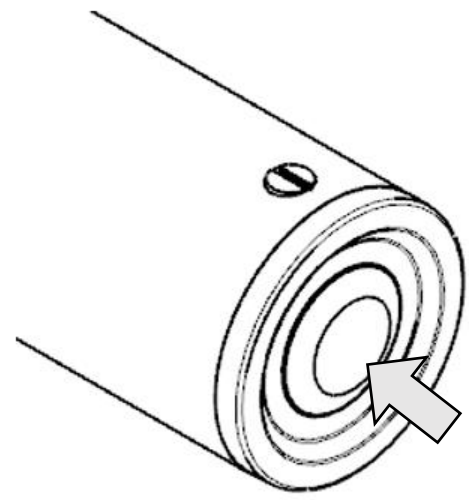


5. Assemble RA DL.

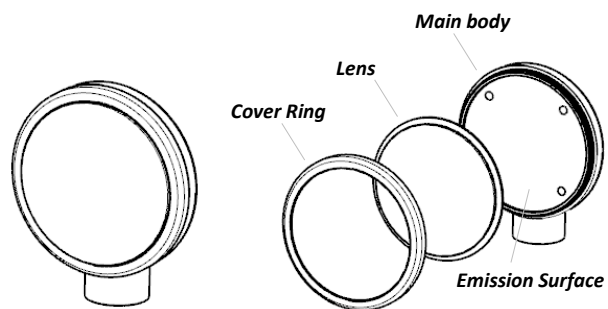
- Check if O-ring is on the DC jack Holder.
(The O-ring is a ready-made product which can be purchased anywhere. Name : S16)



6. Connect the power to RA DS and press the switch.



Model	RA DL (Display Light)
Color	Metalic Silver
Size / Weight	107mm X 91.5mm X 42mm / 240gr
Material	AL, PC, Others
Power Requirement	24V, 0.3A
Power Consumption	7.2W
Operating Conditions	Temperature / Humidity: 20 ± 5 °C / 40 ~ 70 %
Manufacturer	NPC Co., Ltd. (Republic of Korea)

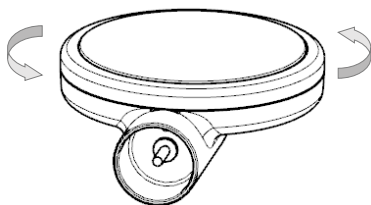


RA DL

* RA DL is an accessory applied to RD PL2 and RA DS for displaying advertisements.

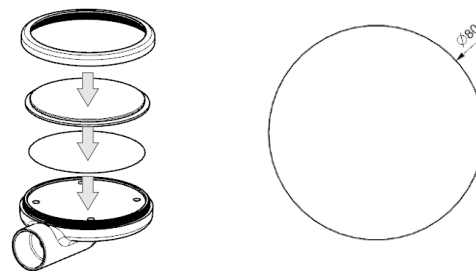
Instructions

Step 1



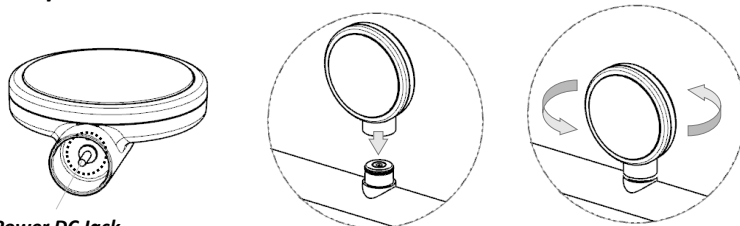
- Fix the main body of RA DL, and hand unscrew the cover ring counter-clockwise from the main body.

Step 2



- Attach and fix the circle backlit film on the emission surface.
- Regular paper print may be used as an alternative for backlit films. (Appropriate size is Ø80)
- Screw the cover ring(with lens) to the main body.
- Please be aware that the backlit film will rotate with the cover ring if the backlit film is not well-fixed.

Step 3



Power DC Jack

- Insert the power DC jack under RA DL to the DC outlet of RD PL2 or RA DS.
- The inserted RA DL can be rotated 360°.

Cautions

- Do not use Disposable Cups for anything other than its intended use.
- Do not touch the product with wet hands, for it has risk of electric shock or fire.
- Do not use the product near the flammables.
- When you detect burning odor or smoke from the product, disconnect the power immediately, and contact the certified service center.
- For outdoor use, turn off the power during thunder or when the product is not used for a long time.
- Attempt of disassembling, repairing, or customizing on the user's discretion may result in product failure. Please contact the certified service center for repair.
- Product failure caused by installing on other products than ReverseTap is not under warranty coverage.
- Do not apply excessive force or impact to the product.
- For cleaning, please use soft dry towel.
- ReverseTap will not be held responsible or accept any liability for any damage to the product caused due to customer's carelessness.

Problem	Diagnose	Solution
No lights in RA DL	Is power cord plugged in properly?	Connect power cord properly.
	Is the switch turned off?	Turn ON the switch.
	Is the LED light of the switch lit on?	Please contact the certified service center.
	Is RA DL mounted on properly?	Mount RA DL on RA DS properly.

Cleaning and Maintenance of RA DS-series

- Do not apply excessive force when mounting RA DL, for it may have risk of damage.
- RA DL and the switch is not water-resistant, so be careful not to have the parts get wet.
- Please be careful not to scratch the surface, and use soft towel for wiping out dust or water.



ReverseTap Customer Service

- Information regarding Certified Service Center (CSC) can be collected via regional distributors and our website. (www.reversetap.com)

Trademarks

- ReverseTap and ReverseTap logo are registered trademarks of NPC Co., Ltd.
- Other names and marks are the property of their respective owners.

Refunds / Exchange / Warranty Policy

- Refunds or exchange may be offered within 15 days after purchase if the product cannot be used due to its defect.
This does NOT apply if the customer is responsible for the damage due to one's carelessness.

NPC CO., LTD.

129 Idang-ro, Gunpo-si, Gyeonggi-do, Republic of Korea 15853



www.reversetap.com



www.youtube.com/reversetap



www.facebook.com/reversetap

FDA certified
by SGS



Webpage QR Code

Copyright © 2018 NPC Co., Ltd. All rights reserved.

This manual is protected under international copyright laws. No part of this guide may be reproduced, distributed, translated, or transmitted in any form or by any means, electronic or mechanical, including photocopying, recording, or storing in any information storage and retrieval system, without the prior written permission of NPC Co., Ltd.

